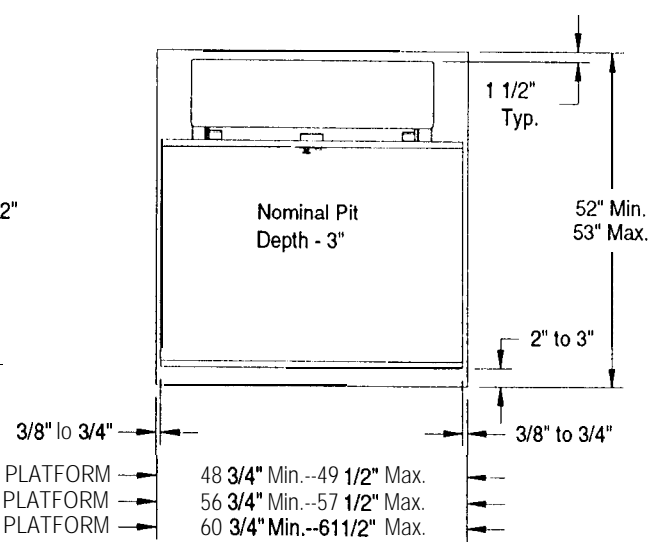
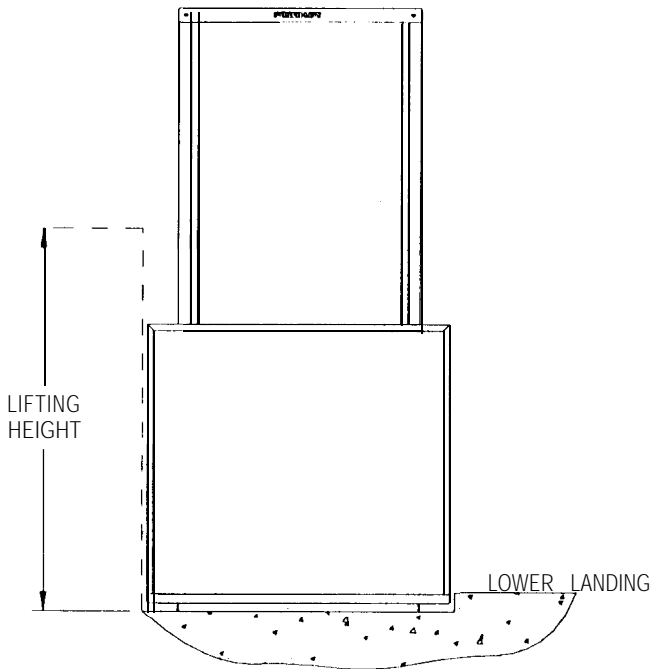


Plan View

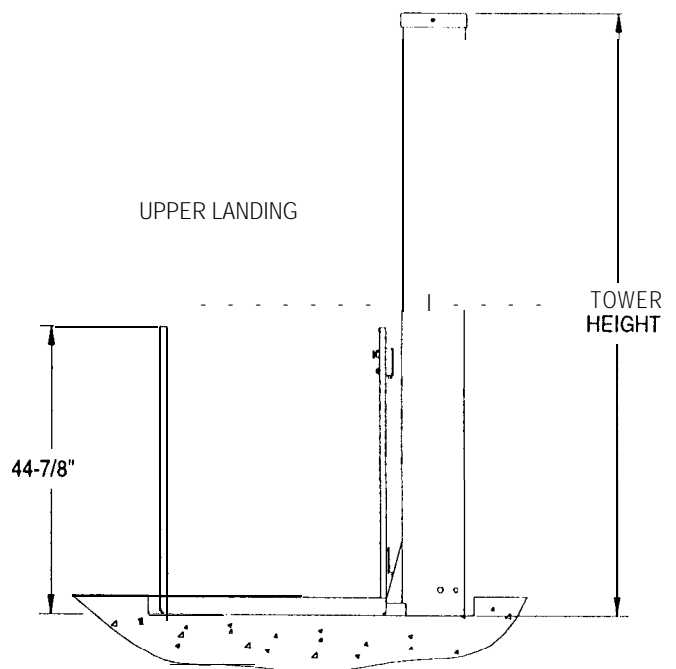


STD. 48" PLATFORM → 48 3/4" Min.--49 1/2" Max.
 OPT. 56" PLATFORM → 56 3/4" Min.--57 1/2" Max.
 OPT. 60" PLATFORM → 60 3/4" Min.--61 1/2" Max.

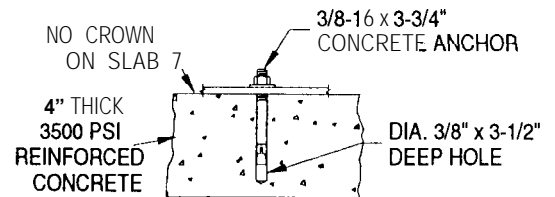
Hoistway or Pit Layout
 (Ref. ASME A17.1 Part XX)



Front Elevation



Lower Landing Side Elevation



Concrete Anchor Detail

| Model PL-S | | |
|-------------------|------------------|--------------|
| Model | Max. Lifting Ht. | Tower Height |
| 36 | 39" | 59 1/4" |
| 50 | 53" | 73 1/4" |
| 72 | 75" | 95 1/4" |
| 96 | 99" | 119 1/4" |
| 120 | 123" | 143 1/4" |
| 144 | 147" | 167 1/4" |
| 168 | 171" | 191 1/4" |

| | |
|---|------------------|
| PORCH-LIFT <small>VERTICAL PLATFORM LIFT</small> Standard PL-S Straight-thru Platform Pit Mount | |
| Date: 12/10/96 | Drawing #PL-S 01 |