

Please fill this order Order confirmation

for office use only

DEALER

Date: _____ Dealer #: _____

P.O.# _____

Dealer: _____

Phone: _____ FAX: _____

CUSTOMER

Customer: _____

Job Name: _____

SHIPPING

Please indicate any special shipment requests for our consideration. Your Order Acknowledgement will provide estimated ship date. Please contact your CSR if the Order Acknowledgement differs from your requirements.

Requested Ship Date: _____

Ship on or before Ship on or after

Ship to: _____

Truck Air

Prepaid Collect 3rd Party

Hold and Call Hold for pickup at terminal

Ship Via: _____

Special Instructions: _____

MISCELLANEOUS

Custom Presentation Drawings Required - Quantity

DO NOT manufacture until Custom Presentation Drawings are approved and returned

Process order without approval of Custom Presentation Drawings

Ordered by: _____

Received by: _____

STANDARD EQUIPMENT

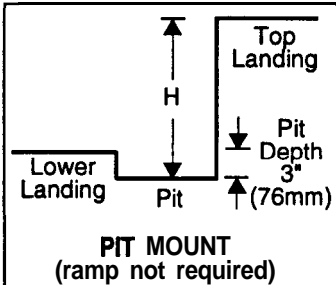
Push Button Platform Control Switch, Key Operation
 All Controls -constant pressure
 Emergency Stop on Platform Control and Signaling Device
 Low Voltage Controls- 24 Volt
6'8" Bottom Landing Door **with** Keyed Dead Latch and Electric Strike
 Grab Rail on Guard Panel opposite Tower
 42" high Platform Guard Panels
 36" x 60" Platform with Non-skid Surface
31-1/2" long Fixed Access Ramp
 Universal Wiring Harness for doors, gates, interlocks and electric strikes
 750 lb. Capacity
 Taupe Powder Coat Finish
 Metal Frame Enclosure with Bronze **Tinted** Acrylic Vision Panels
 UL Listed

MEASURE THE EXACT LIFTING HEIGHT OR "H" DIMENSION. MEASUREMENT MUST BE A VERTICAL LINE TAKEN FROM THE TOP LANDING TO THE BOTTOM LANDING. FOR PIT MOUNTED UNITS, MEASURE FROM THE BOTTOM OF THE PIT. FILL IN LIFTING HEIGHT AND CHECK THE APPROPRIATE BOX TO INDICATE TYPE OF MOUNT BELOW.

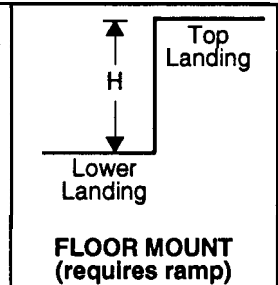
Top Landing Exact Lifting Height (H): in.(mm)

Mid Landing Exact Lifting Height: in.(mm)
 (Available only on three-stop units)

Pit Mount Floor Mount



PIT MOUNT
(ramp not required)



FLOOR MOUNT
(requires ramp)

MODEL

Check the box by the desired model number.

PL-ENC 50 PL-ENC 72 PL-ENC 96

PL-ENC 120 PL-ENC 144 PL-ENC 166



- DRIVE**
- Ball Screw
 - Roped tlydmulk
- CONTROLS**
- Push Button Call/Send Controls at top and bottom landings with Key Operation
 - Standard mount Flush mount (2 stop units only)
 - Push Button Call/Send Controls at top and bottom landings with Key Operation, Emergency Stop and Signaling Device (6Volt Battery not included)
 - Standard mount flush mount
 - Paddle Call/Send Controls at top and bottom landings with Key Operation
 - Standard mount Flush mount
 - Paddle Call/Send Controls at top and bottom landings with Key Operation. Emergency Stop and Signaling Device (6 Volt Battery not included)
 - Standard mount Flush mount
 - Paddle Control on Platform

- GATES**
- 36" wide (914mm), 42" (1067mm) high Top Landing Gate with Flush Mount Electric Strike

- DOORS**
- 6'8" (2032mm) Flush Mount Enclosure Door-which is part of the Enclosure and includes 1/4" Bronze Tinted Acrylic Vision Panel (27"x67"), Keyed Dead Latch, Flush Mount Electric Strike, Self-closure and Door Pull
 - Top landing Mid landing
 - 6'8" (2032mm) Flush Mount Non-Fin Rated Door and Frame - does NOT attach to Enclosure and includes 1/4" Bronze Tinted Acrylic Vision Panel (27"x67"), Cased Opening, Keyed Dead Latch, Flush Mount Electric Strike, Self-closure and Door Pull
 - Top landing Mid landing
 - 6'8" (2032mm) flush Mount 1-1/2 hr. Fire Rated Door and Frame - does NOT attach to Enclosure and includes Wire Glass window (4"x24"), Cased Opening, Keyed Dead Latch, Flush Mount Electric Strike with wiring, Self-closure and Door Pull
 - Top landing Mid landing
 - Cased Opening - required to finish Enclosure opening when door is by others
 - Top landing Mid landing
 - Access ESI (Doors by others; indicate swng at right)
 - Top landing Mid landing
 - Flush Mount Electric Strike (Doors & Gates by others)
 - Top landing Mid landing
 - Keyed Dead Latch (for use with Flush Mount Electric Strike)
 - Top landing Mid landing
 - Automatic Opener/Closer (for doors end gates) - qty.

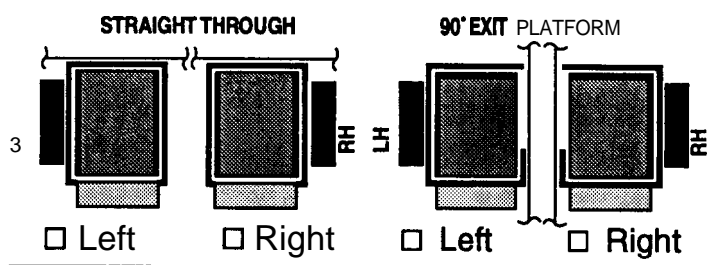
- PLATFORMS**
- 90° Exit Platform (Bottom landing entry through 36" side with top landing exit through 60" side; includes end Guard Panel)
 - 114" Acrylic Insert in 42" Platform Guard Panel opposite Tower
 - Clear Acrylic Bronze Tinted Acrylic
 - Enter/Exit Same Side (available on ENC 96, 120, 144 & 166 only; includes end guard panel)
 - Platform Safety Pan

- MISCELLANEOUS**
- Pressure Gauge (Hydraulic unit only)
 - Tower Braces - qty. 2 (anchors tower to wall)
 - Acrylic Dome
 - Clear Acrylic Bronze Tinted Acrylic
 - Clear Laminated Glass (consult factory)
 - High Impact Acrylic (consult factory)
 - Clear Acrylic Vision Panels in Metal Frame Enclosure
 - Three-stop Controls
 - Removable Base
 - Telephone Jack (below Platform Control)
 - Optknl Color: Ivory Pearl Gray Sable Brown
 - Special Order Color: (specify RAL No.)

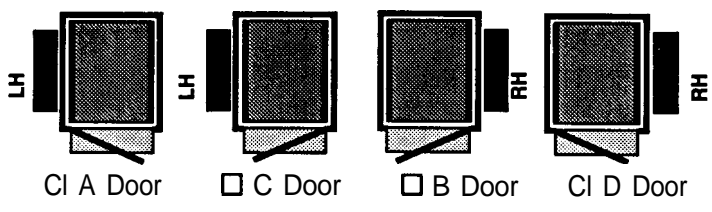
*Standard, Optional and Custom Colors apply to the Unit and Enclosure.

Diagrams show "bird's eye view" with lower landing positioned at bottom

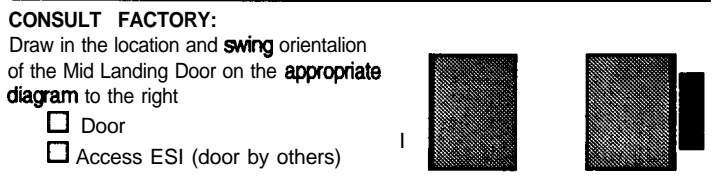
TOWER/PLATFORM ORIENTATION



LOWER LANDING DOOR



MID LANDING DOOR for THREE-STOP UNIT



TOP LANDING GATE or DOOR

